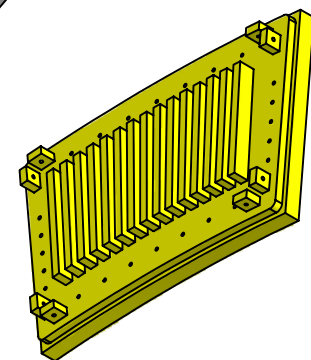
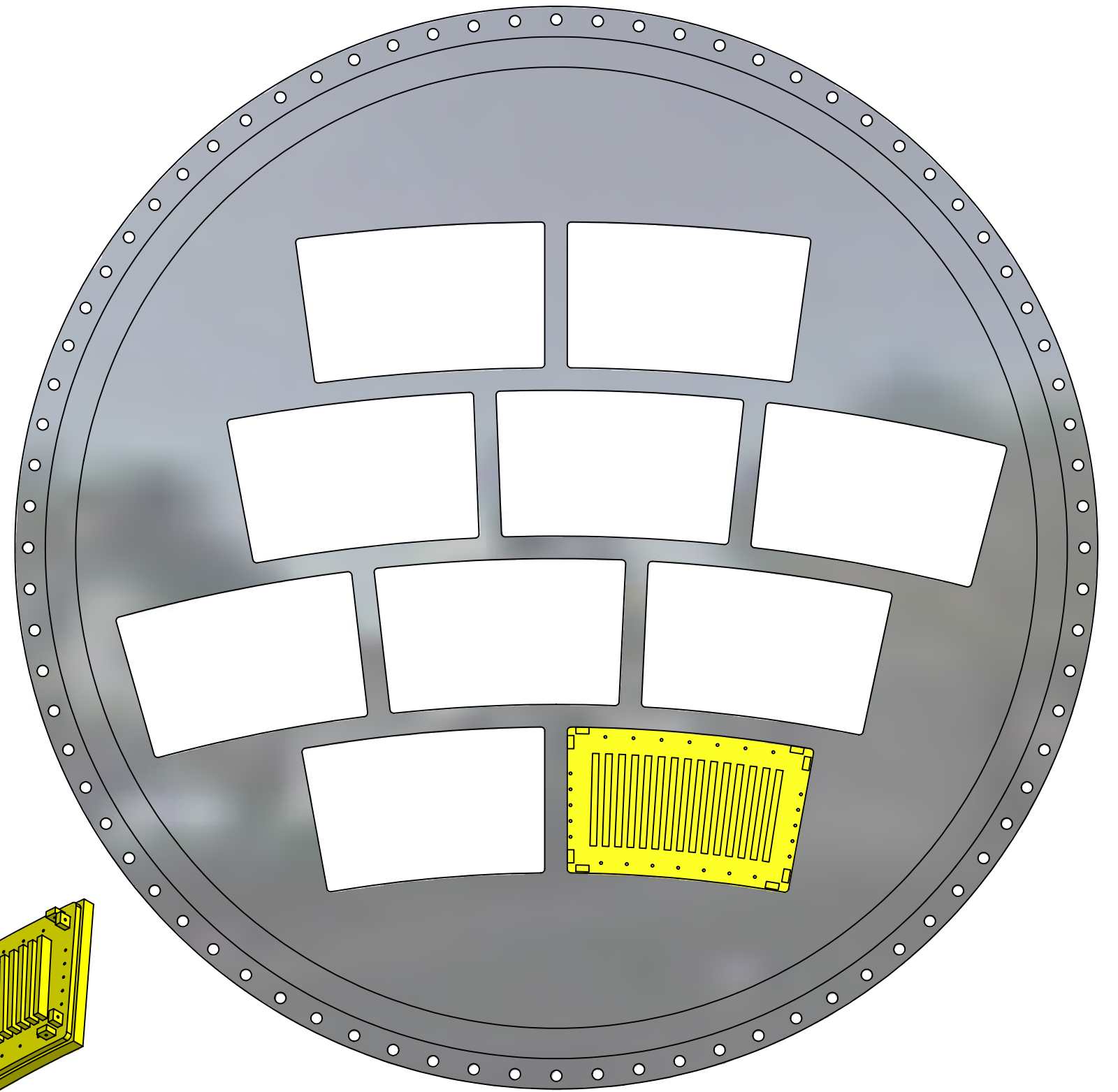
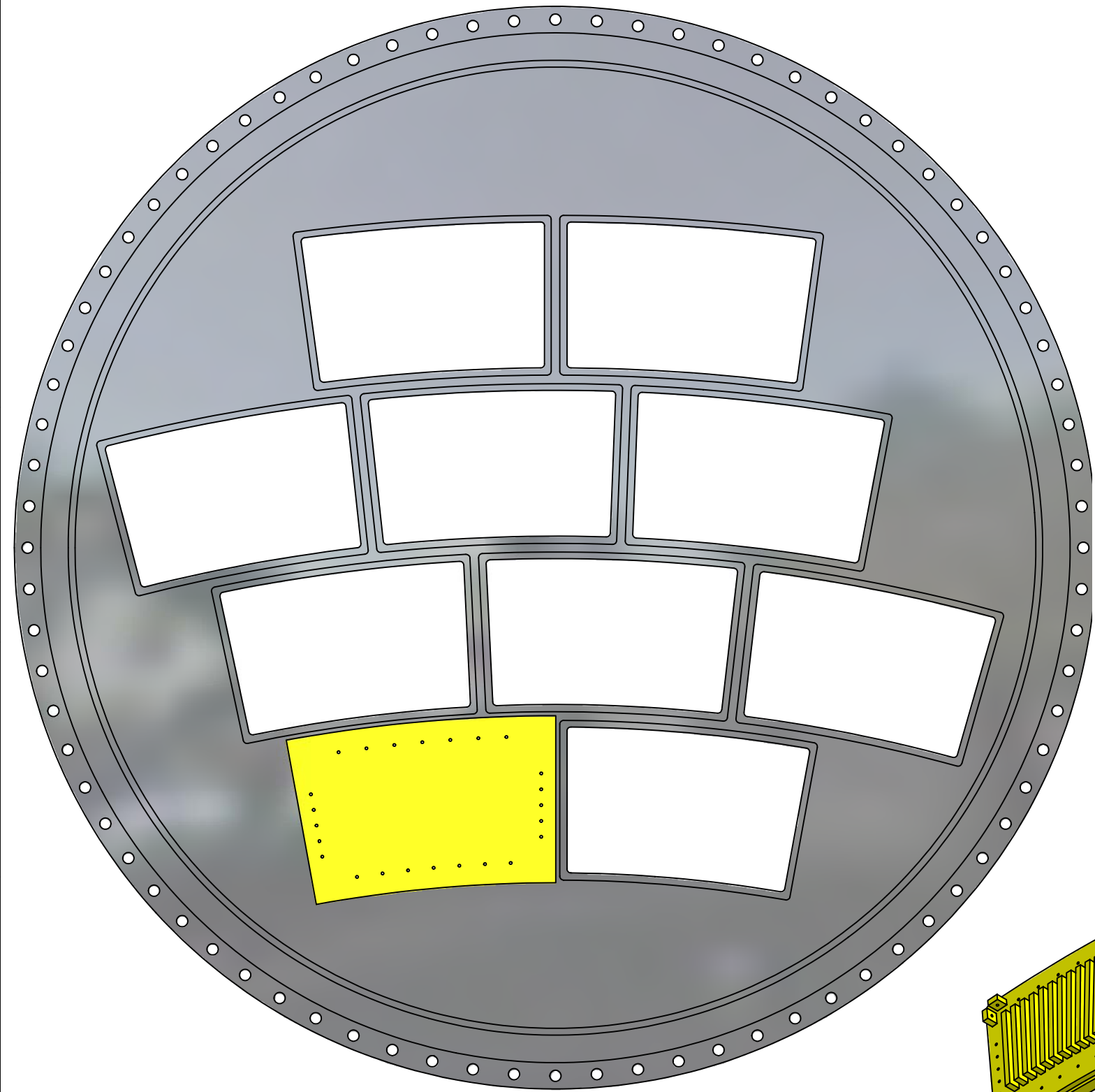


REVISIONS			
SYM.	ZONE	DESCRIPTION	DATE APP.



SCALE 1/2

FOR MACHINING LUBRICANT USE ONLY
ALKALINE DETERGENT LUBRICANT CIMSTAR 40
OR EQUIVALENT APPROVED BY CORNELL LEPP

ITEM	DWG. NO.	DESCRIPTION	G1	G2	G3	REMARKS	REV.
			QUANTITY				
D	PRINT DISTR.	PLOT DATE: 4/11/2006 CAD FILE NAME: 6080-014.idw					
6080-014	CR-1	UNLESS OTHERWISE SPECIFIED: DIMENSIONS ARE IN INCHES: TOLERANCES ON: .00 ± .010 .000 ± .005 FRACTIONS ± 1/64 ANGLES ± 0.5° ALL SURFACES ✓				CORNELL UNIVERSITY Floyd R. Newman Laboratory Ithaca, NY 14853	
Linear Collider R&D, TPC Large Prototype Endplate 2 and Module 2, Sub-Asm		CHECKED BY:	DRAWN BY TMK	DRAWN FOR DPP	DATE 4/4/2006	SCALE D	6080-014 SH. NO. 11 OF 11
		APPROVED BY:					