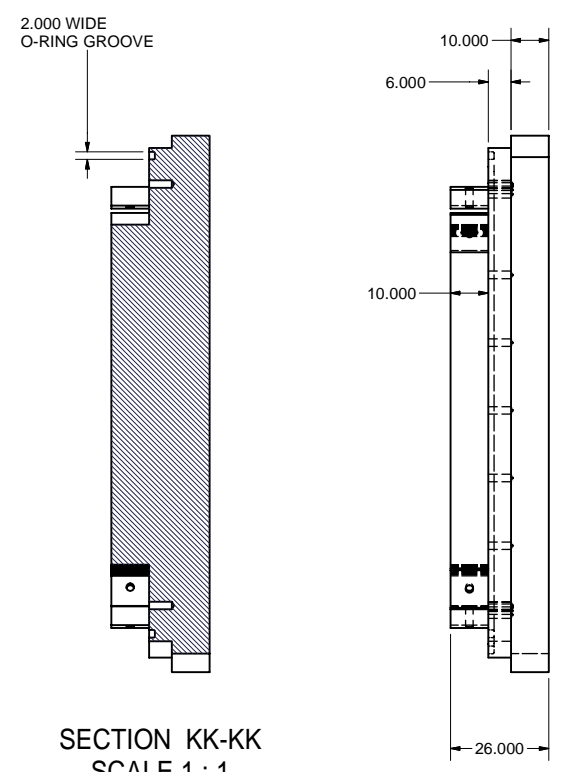
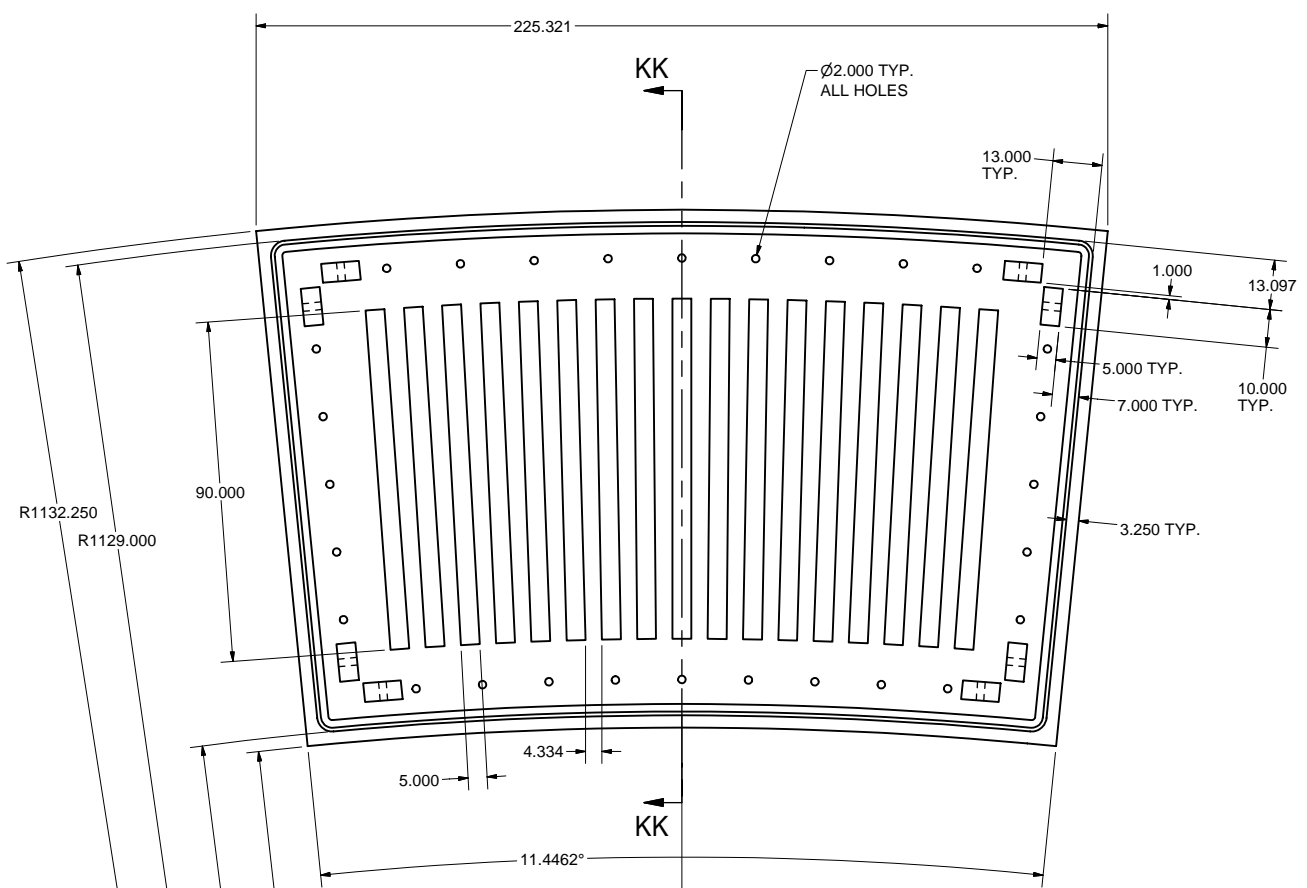
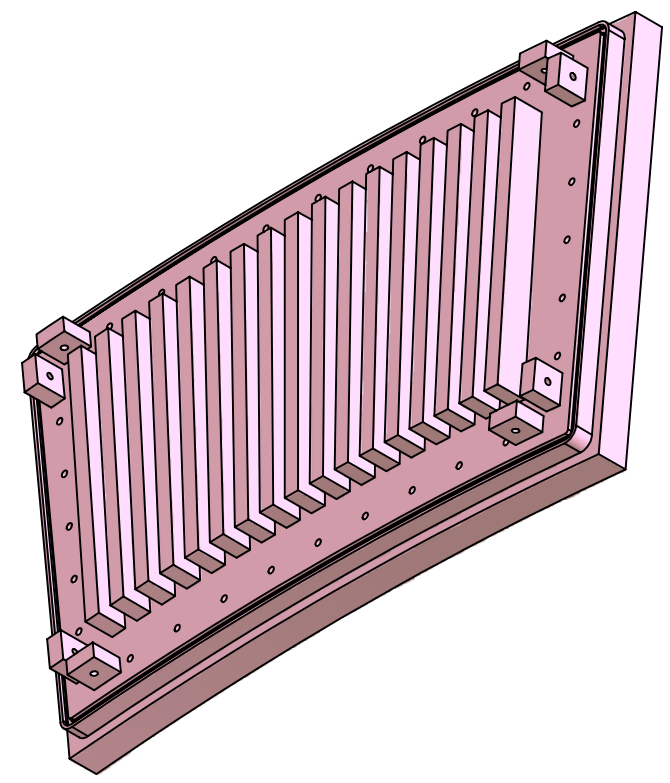


REVISIONS			
SYM.	ZONE	DESCRIPTION	DATE APP.



SECTION KK-KK  
SCALE 1 : 1



○ ENDPLATE DETECTOR MODULE 3 (PAD 1)  
 FILE NAME: 6080-014  
 SHEET NO.: 14  
 DFT. SCALE: 1:1  
 MATERIAL: PROTOTYPE SHAPE ONLY  
 QTY: AS NEEDED  
 NOTES: ALL DIMS. ARE mm

FOR MACHINING LUBRICANT USE ONLY  
 ALKALINE DETERGENT LUBRICANT CIMSTAR 40  
 OR EQUIVALENT APPROVED BY CORNELL LEPP

REV.	ITEM	DWG. NO.	DESCRIPTION	G1	G2	G3	REMARKS	REV.
				QUANTITY				
D	PRINT DISTR.	6080-014	PLOT DATE: 4/11/2006 CAD FILE NAME: 6080-014.idw					
6080-014	CR-1	UNLESS OTHERWISE SPECIFIED: DIMENSIONS ARE IN INCHES: TOLERANCES ON: .00 ± .010 .000 ± .005 FRACTIONS ± 1/64 ANGLES ± 0.5° ALL SURFACES ✓	 CORNELL UNIVERSITY Floyd R. Newman Laboratory Ithaca, NY 14853  Linear Collider R&D, TPC Large Prototype					
SH. NO. 14 OF 16	REV.	CHECKED BY: APPROVED BY:		DRAWN BY TMK	DRAWN FOR DPP	DATE 4/4/2006	SCALE D	6080-014 SH. NO. 14 OF 16