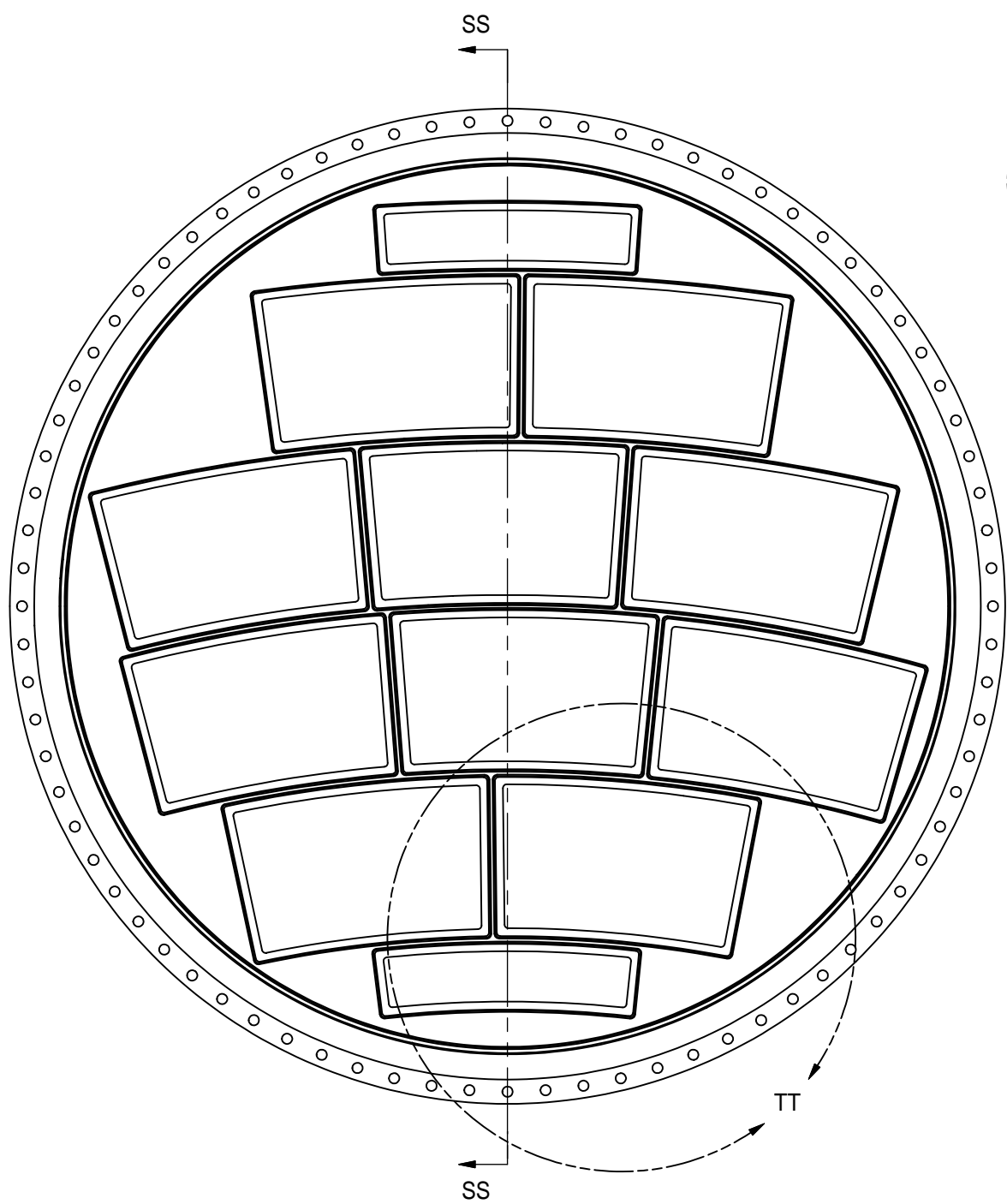
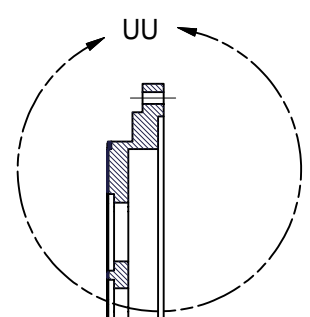


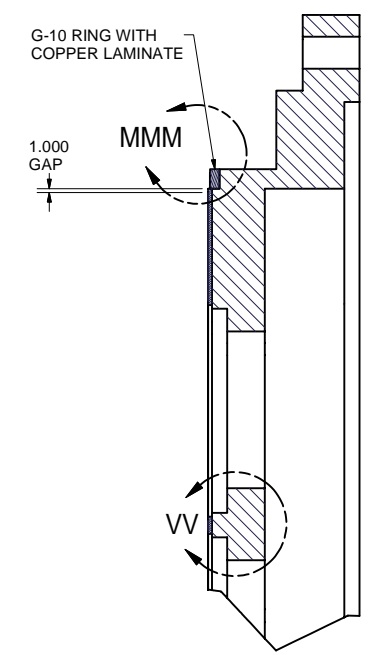
REVISIONS			
SYM.	ZONE	DESCRIPTION	DATE APP.



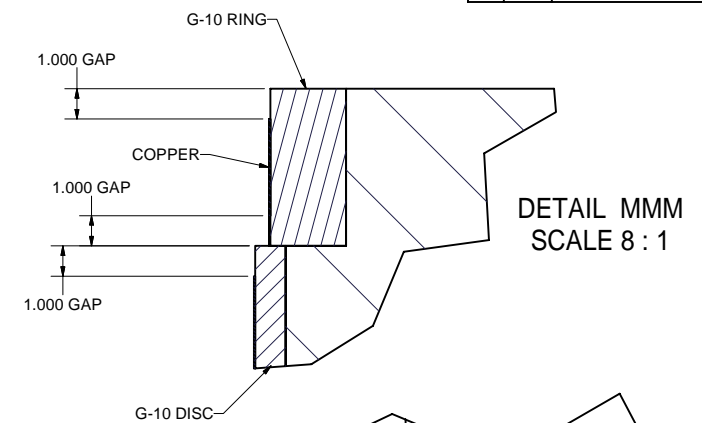
MOD 3 ENDPLATE WITH G-10 AND COPPER LAMINATES



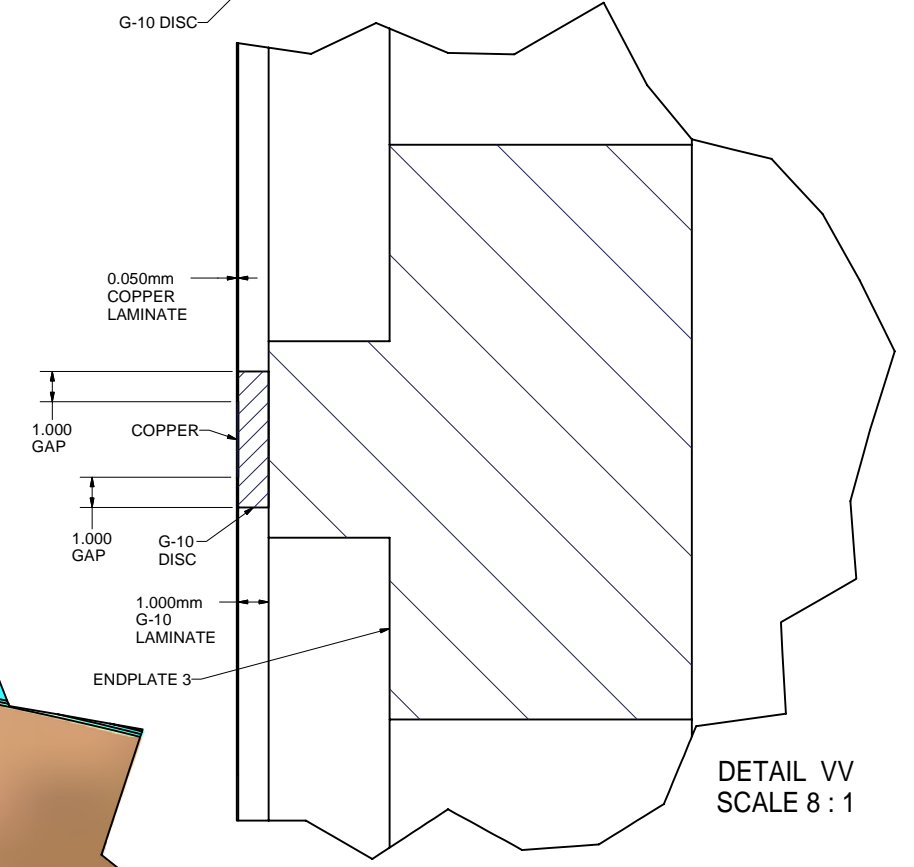
SECTION SS-SS
SCALE 3/8



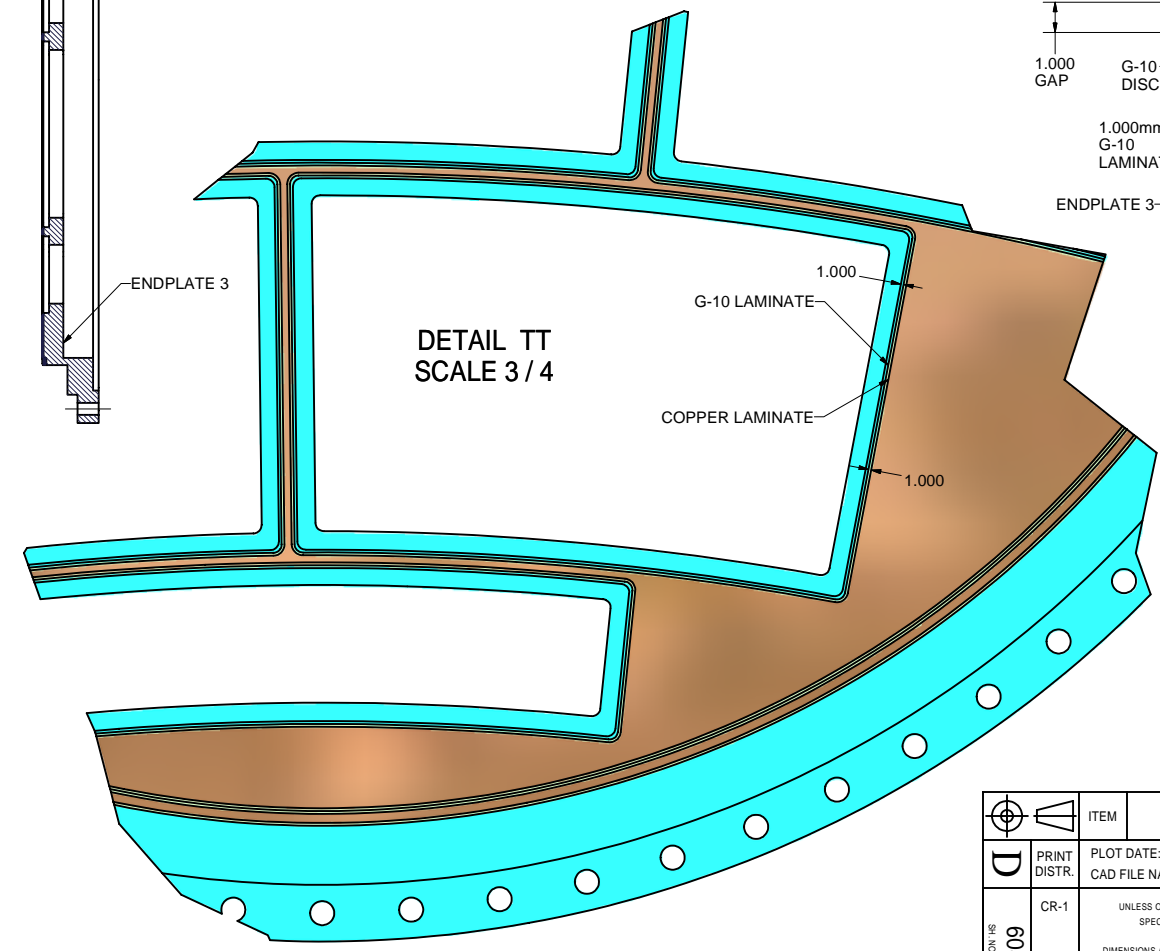
DETAIL UU
SCALE 1:1



DETAIL MMM
SCALE 8:1



DETAIL VV
SCALE 8:1



DETAIL TT
SCALE 3/4

FOR MACHINING LUBRICANT USE ONLY
ALKALINE DETERGENT LUBRICANT CIMSTAR 40
OR EQUIVALENT APPROVED BY CORNELL LEPP

ITEM	DWG. NO.	DESCRIPTION	G1	G2	G3	REMARKS	REV.
			QUANTITY				
PRINT DISTR.	PLOT DATE: 7/11/2006 CAD FILE NAME: 6080-014.idw						
6080-014 SH. NO. 15 OF 17	CR-1	UNLESS OTHERWISE SPECIFIED: DIMENSIONS ARE IN INCHES: TOLERANCES ON: .00 ± .010 .000 ± .005 FRACTIONS ± 1/64 ANGLES ± 0.5° ALL SURFACES			CORNELL UNIVERSITY Floyd R. Newman Laboratory Ithaca, NY 14853		
	Linear Collider R&D, TPC Large Prototype Mod 3 Endplate with G-10 and Copper Laminates		DRAWN BY TMK	DRAWN FOR DPP	DATE 4/4/2006	SCALE D	6080-014 SH. NO. 15 OF 17
REV.	CHECKED BY:	DRAWN BY	DRAWN FOR	DATE	SCALE	REV.	
	APPROVED BY:	TMK	DPP	4/4/2006	D		