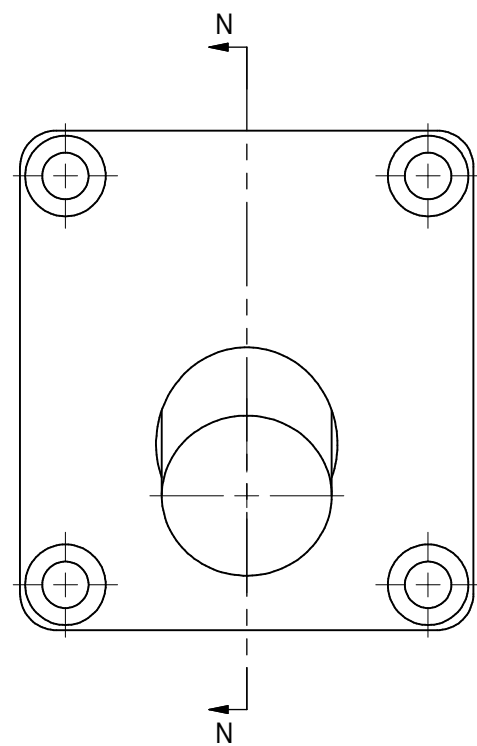
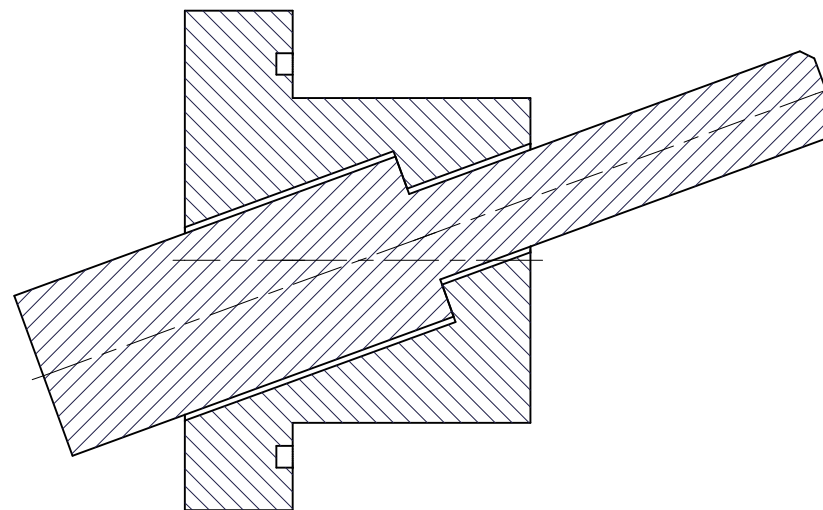


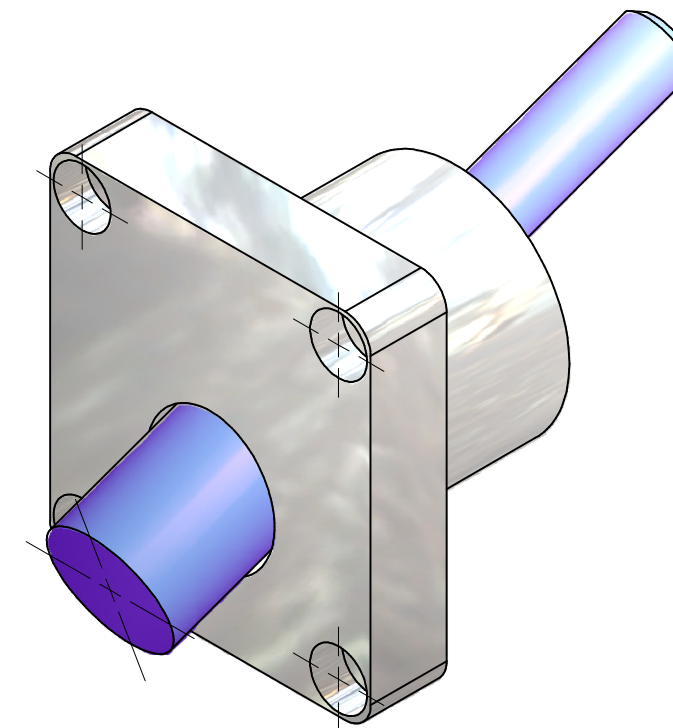
REVISIONS			
SYM.	ZONE	DESCRIPTION	DATE APP.



SCALE 3 : 1

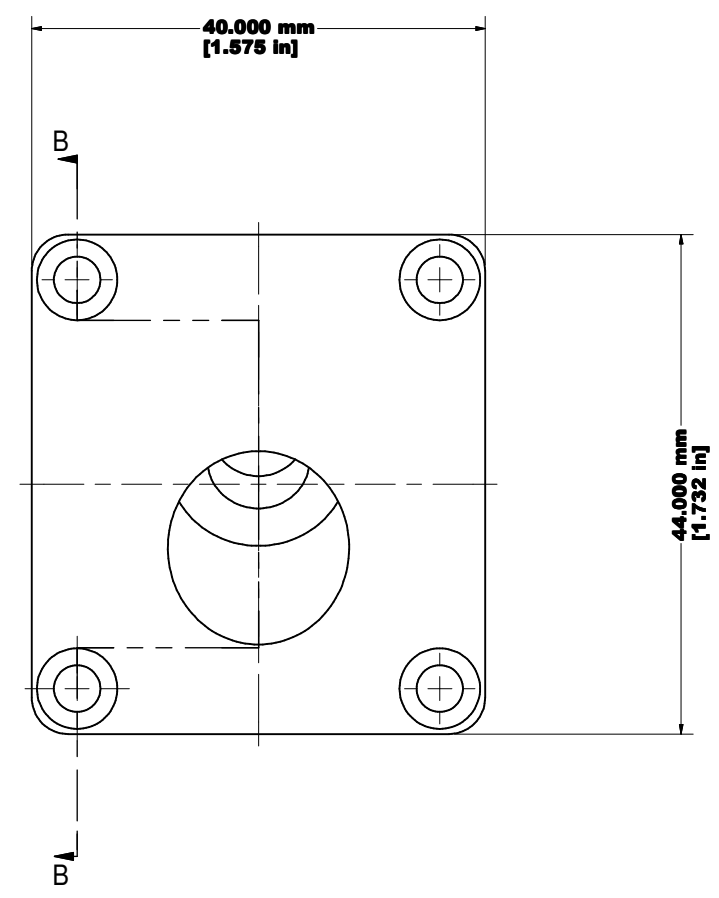


SECTION N-N  
SCALE 3 : 1

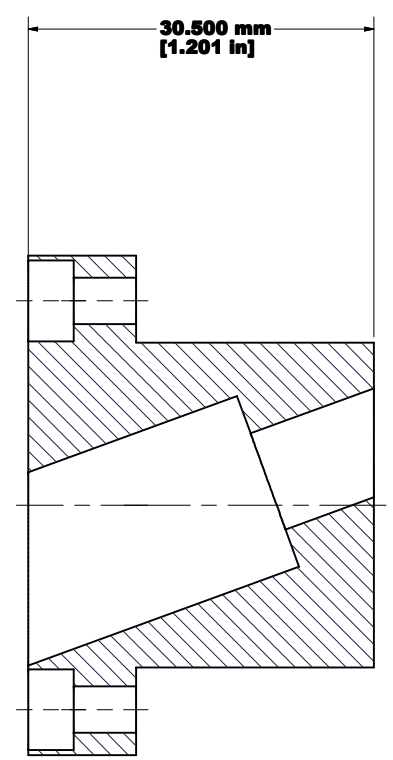


ITEM	DWG. NO.	DESCRIPTION	G1	G2	G3	REMARKS	REV.	
			QUANTITY					
PRINT DISTR.	PLOT DATE: 2/28/2008 CAD FILE NAME: 6080-125 VictoriaLightInsert.idw							
D 6080-125 REV. 1	CR-1	UNLESS OTHERWISE SPECIFIED: DIMENSIONS ARE IN INCHES: TOLERANCES ON: .0 ± .02 .00 ± .010 .000 ± .005 FRACTIONS ± 1/32 ANGLES ± 0.5° ALL SURFACES				CORNELL UNIVERSITY Floyd R. Newman Laboratory Ithaca, NY 14853		
	I L C Victoria Light Insert							
CHECKED BY: Peterson	DRAWN BY: MDS	DRAWN FOR: Peterson	DATE: 1/11/2008	SCALE: Noted	D	6080-125 SH. NO. 1 OF 5	REV.	

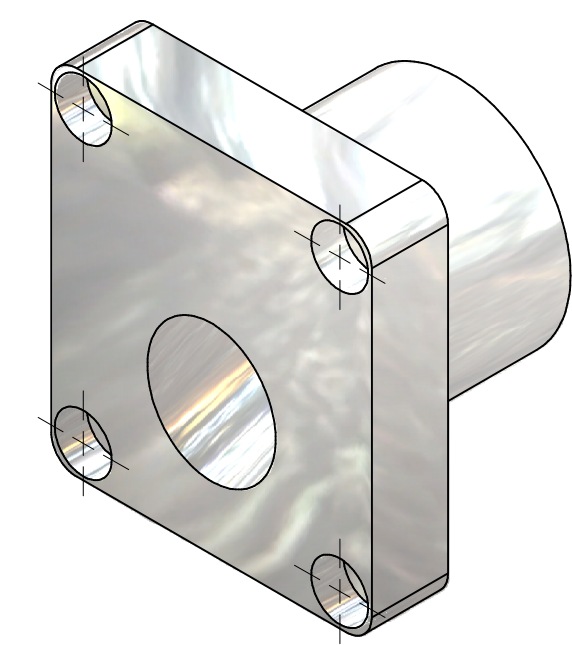
REVISIONS			
SYM.	ZONE	DESCRIPTION	DATE APP.



SCALE 3 : 1



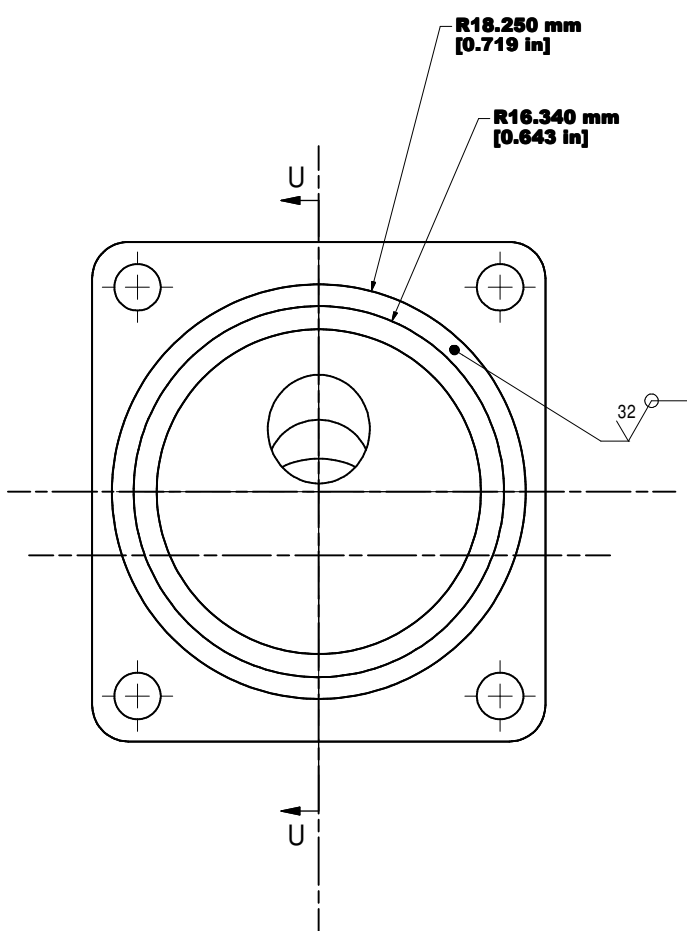
SECTION B-B  
SCALE 3 : 1



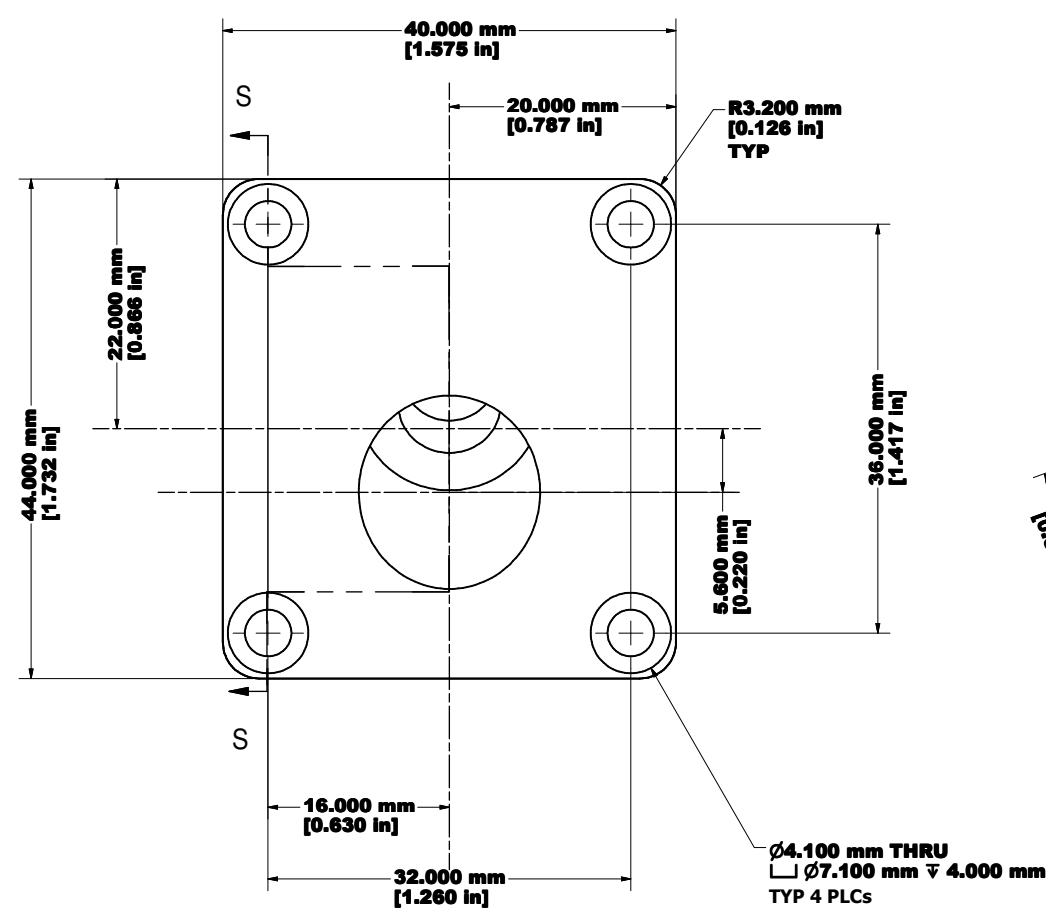
SCALE 3 : 1

ITEM	DWG. NO.	DESCRIPTION	G1	G2	G3	REMARKS	REV.	
			QUANTITY					
PRINT DISTR.	PLOT DATE: 2/28/2008 CAD FILE NAME: 6080-125 VictoriaLightInsert.idw							
D 6080-125 SH. NO. 2 OF 5	CR-1	UNLESS OTHERWISE SPECIFIED: DIMENSIONS ARE IN INCHES: TOLERANCES ON: .0 ± .02 .00 ± .010 .000 ± .005 FRACTIONS ± 1/32 ANGLES ± 0.5° ALL SURFACES				CORNELL UNIVERSITY Floyd R. Newman Laboratory Ithaca, NY 14853		
		I L C Victoria Light Insert						
CHECKED BY: Peterson	DRAWN BY: MDS	DRAWN FOR: Peterson	DATE: 1/11/2008	SCALE: Noted	D	6080-125 SH. NO. 2 OF 5	REV.	
APPROVED BY: Peterson								

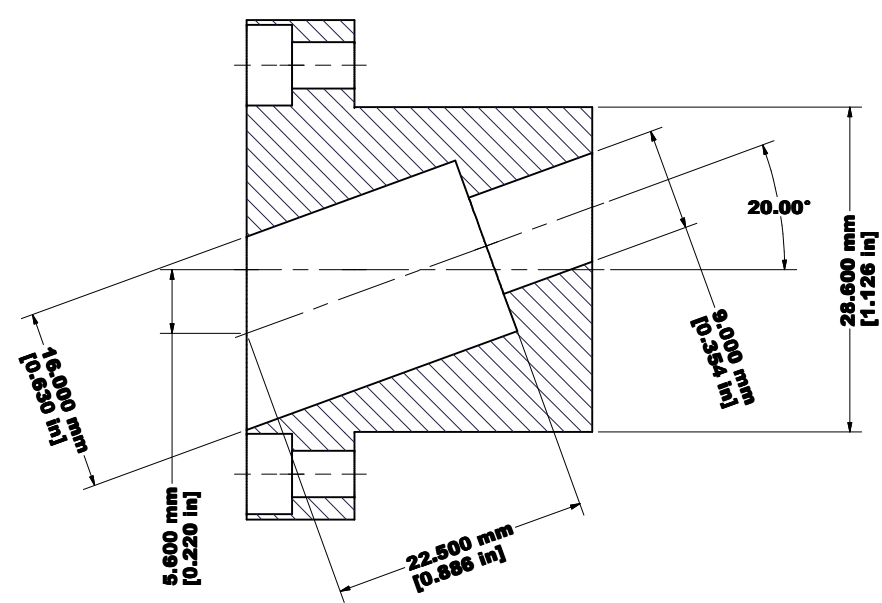
REVISIONS				
SYM.	ZONE	DESCRIPTION	DATE	APP.



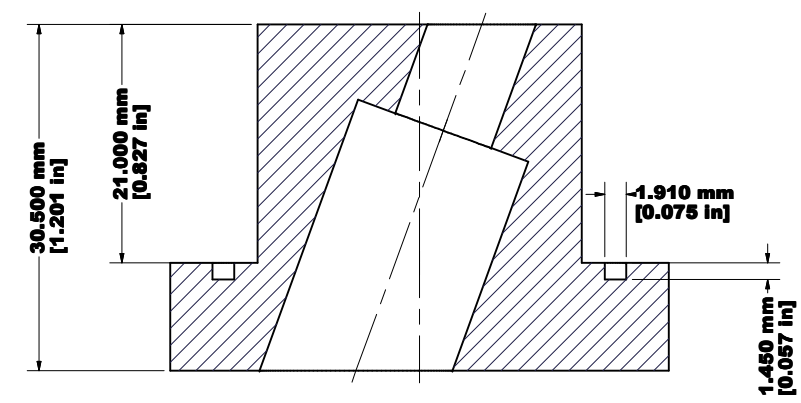
SCALE 3 : 1



SCALE 3 : 1



SECTION S-S  
SCALE 3 : 1

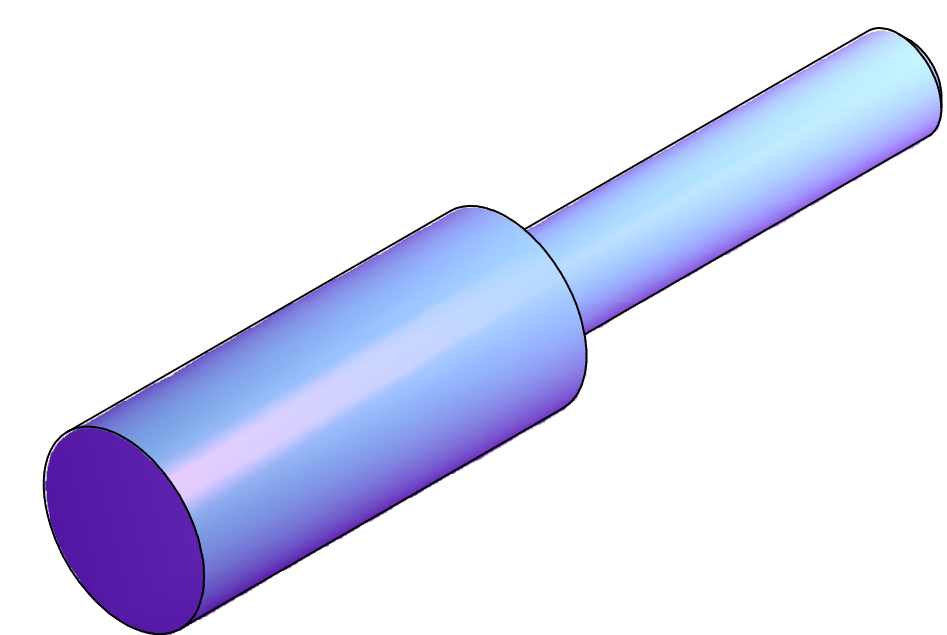
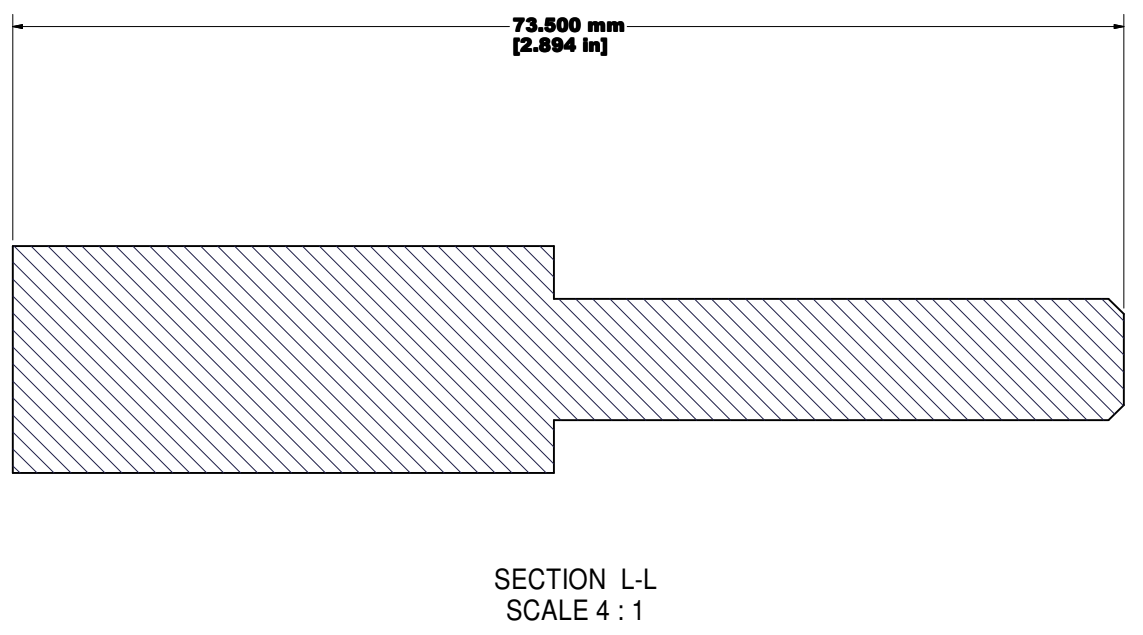
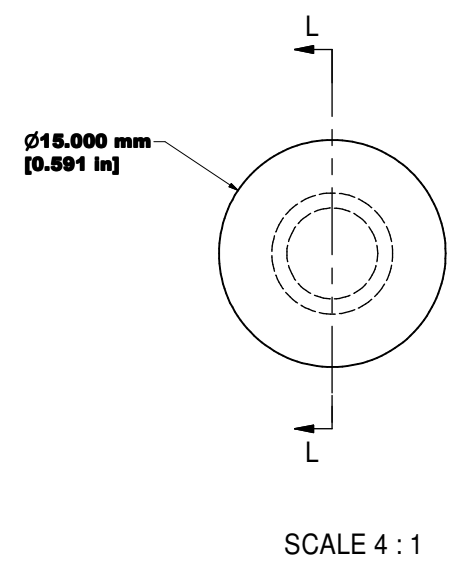


SECTION U-U  
SCALE 3 : 1

Ø4.100 mm THRU  
□Ø7.100 mm ∓ 4.000 mm  
TYP 4 PLCs

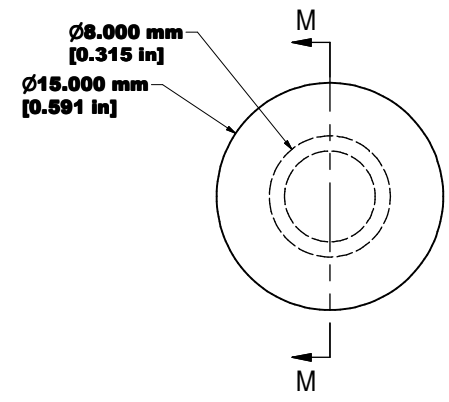
ITEM	DWG. NO.	DESCRIPTION	G1	G2	G3	REMARKS	REV.
			QUANTITY				
PRINT DISTR.	PLOT DATE: 2/28/2008 CAD FILE NAME: 6080-125 VictoriaLightInsert.idw						
CR-1	UNLESS OTHERWISE SPECIFIED: DIMENSIONS ARE IN INCHES: TOLERANCES ON: .0 ± .02 .00 ± .010 .000 ± .005 FRACTIONS ± 1/32 ANGLES ± 0.5° ALL SURFACES						
6080-125 SH. NO. 3 OF 5		 CORNELL UNIVERSITY FLOYD R. NEWMAN LABORATORY ITHACA, NY 14853		I L C Victoria Light Insert			
CHECKED BY: Peterson	DRAWN BY: MDS	DRAWN FOR: Peterson	DATE: 1/11/2008	SCALE: Noted	D	6080-125 SH. NO. 3 OF 5	REV.

REVISIONS			
SYM.	ZONE	DESCRIPTION	DATE APP.

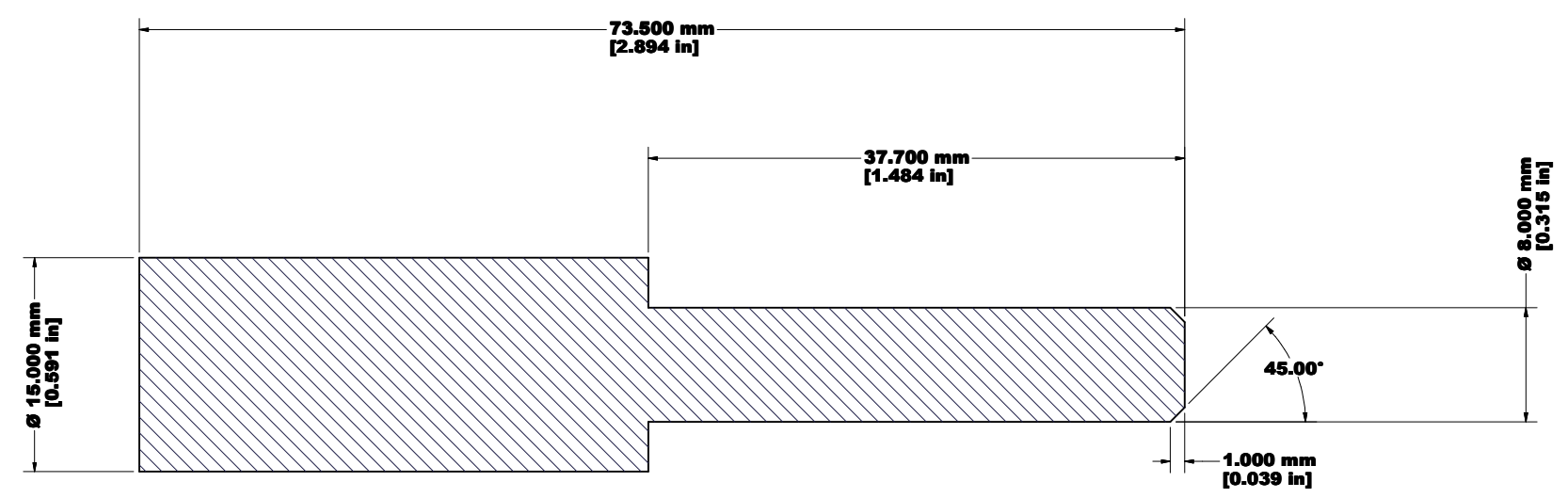


ITEM	DWG. NO.	DESCRIPTION	G1	G2	G3	REMARKS	REV.	
			QUANTITY					
 <b>D</b>	PRINT DISTR.	PLOT DATE: 2/28/2008 CAD FILE NAME: 6080-125 VictoriaLightInsert.idw						
6080-125 <small>SH. NO. 4 OF 5</small>	CR-1	UNLESS OTHERWISE SPECIFIED: DIMENSIONS ARE IN INCHES: TOLERANCES ON: .0 ± .02 .00 ± .010 .000 ± .005 FRACTIONS ± 1/32 ANGLES ± 0.5° ALL SURFACES <input checked="" type="checkbox"/>	 CORNELL UNIVERSITY LABORATORY FOR ELEMENTARY-PARTICLE PHYSICS			CORNELL UNIVERSITY Floyd R. Newman Laboratory Ithaca, NY 14853		
	I L C Victoria Light Insert		CHECKED BY: Peterson APPROVED BY: Peterson	DRAWN BY: MDS	DRAWN FOR: Peterson	DATE: 1/11/2008	SCALE: Noted	<b>D</b> 6080-125 <small>SH. NO. 4 OF 5</small>

REVISIONS				
SYM.	ZONE	DESCRIPTION	DATE	APP.



SCALE 4 : 1



SECTION M-M  
SCALE 4 : 1

ITEM	DWG. NO.	DESCRIPTION	G1	G2	G3	REMARKS	REV.
			QUANTITY				
<b>D</b>	PRINT DISTR.	PLOT DATE: 2/28/2008 CAD FILE NAME: 6080-125 VictoriaLightInsert.idw					
6080-125 SH. NO. 5 OF 5	CR-1	UNLESS OTHERWISE SPECIFIED: DIMENSIONS ARE IN INCHES: TOLERANCES ON: .0 ± .02 .00 ± .010 .000 ± .005 FRACTIONS ± 1/32 ANGLES ± 0.5° ALL SURFACES ✓			CORNELL UNIVERSITY Floyd R. Newman Laboratory Ithaca, NY 14853		
	I L C Victoria Light Insert						
REV.	CHECKED BY: Peterson APPROVED BY: Peterson	DRAWN BY: MDS	DRAWN FOR: Peterson	DATE: 1/11/2008	SCALE: Noted	<b>D</b>	6080-125 SH. NO. 5 OF 5